



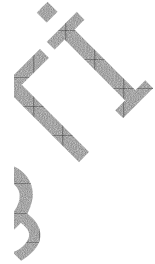
İMAJ TEKNİK
ELEKTRİK ELEKTRONİK MALZ. SAN. VE TİC. LTD. ŞTİ

INSTANTANEOUS AND FUNCTION RELAYS

Flashing relays 1 contact / 19JU



TEC
19JU

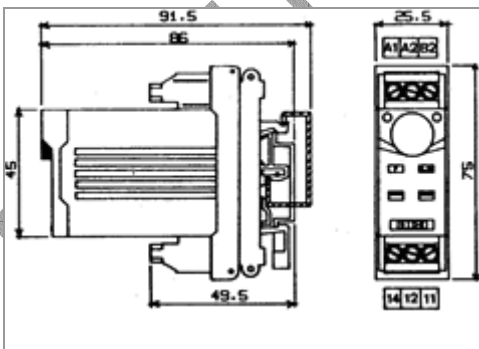


DESCRIPTION

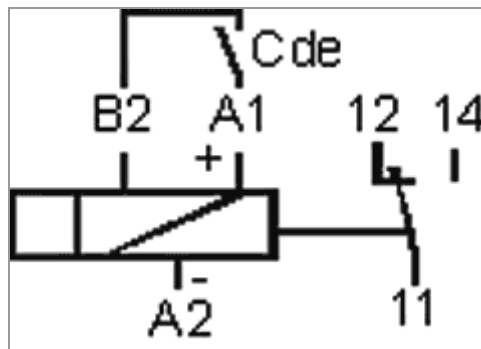
Universal timer relay 1 contact.

Mounting on symmetrical or dissymmetrical DIN track by screw terminal.

Dimensions



Connection



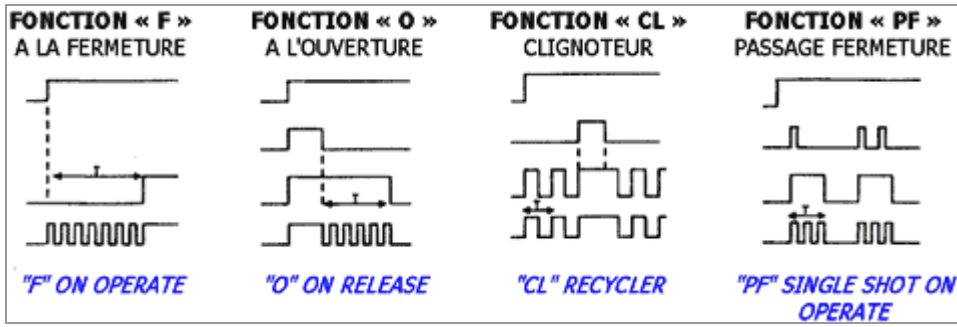
OPERATION PRINCIPLE

See the operation scheme hereafter.

Visualisation of function state by red LED and of voltage presence by green LED.

!! any modification of the choice of the form or of the multiplier of a timing in use will be validated only after a switch-off of the power supply !!

PLAN



TECHNICAL FEATURES

Function	timer (F, O, CL, PF)
Presentation	under cover
Connection	on DIN track by screw terminal
Number of mechanical operations	10.000.000
Operating temperature	- 20 to + 60°C
Storage temperature	- 25°C to + 70°C
Weight	100 g.
Protection level	IP40
Operate time	reset time after timing : 10 ms
Release time	reset time after voltage break : 30 ms

COIL DATA

	Direct current	Alternative current
Min. nominal voltage DC	24 V	24 V
Min. nominal voltage AC	240 V	240 V - 50 or 60 Hz

CONTACTS

Number of contacts	1
Max. load current	10 A

VERSIONS

Universal timer relay - 2 types :

19JU0000000 - timing ranges :

* sec : 0.01-0.1 / 0.1-1 / 1-10 / 10-100

* mn : 0.01-0.1 / 0.1-1 / 1-10 / 10-100

19JU0000100 - timing ranges :

* mn : 0.01-0.1 / 0.1-1 / 1-10 / 10-100

* h : 0.01-0.1 / 0.1-1 / 1-10 / 10-100

	İmaj Teknik Elektrik Elektronik San. ve Tic. Ltd. Şti. EMEKYEMEZ MAH.TUTSAK SOK. NO: 16/13-14-15 KARAKOY/İSTANBUL TURKEY	
	Telefon : +90 212 235 9535 / 36 Fax : +90 212 235 9537	www.imajteknik.com www.imajteknik.com.tr